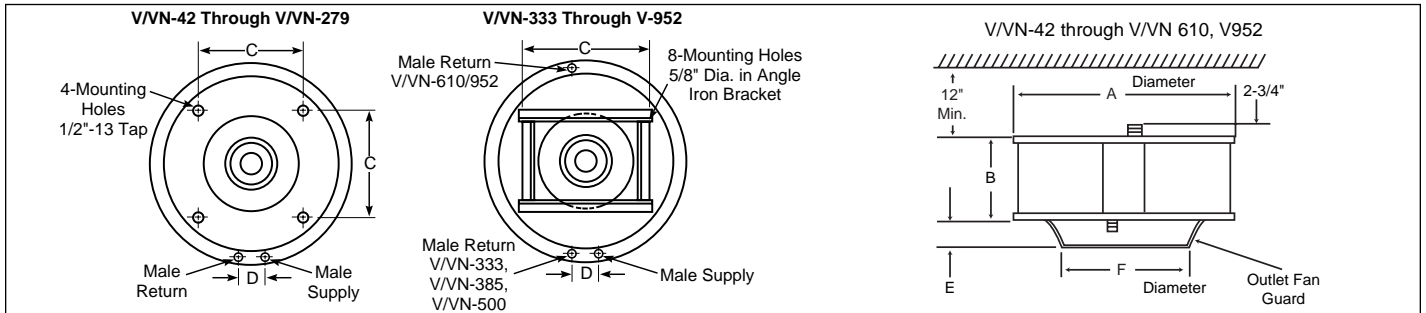




SUBMITTAL DATA vertical steam/hot water unit heaters



Models V/VN Dimensions — Inches

① Model Number	A	B	C	D	E	F	Fan Dia.	Male Conn. NPT		Approx. Shipping Wt. Lbs.
								Top	Bottom	
V/VN-42 (L)	24-3/4	3-5/8	11-3/8	2-1/8	4-3/8	14-1/2	14	1-1/4	1-1/4	36
V/VN-59 (L)	24-3/4	5-1/8	11-3/8	2-1/8	4-3/8	14-1/2	14	1-1/4	1-1/4	42
V/VN-78 (L)	24-3/4	6-5/8	11-3/8	2-1/8	2-5/8	16-1/2	16	1-1/4	1-1/4	46
V/VN-95 (L)	24-3/4	8-1/8	11-3/8	2-1/8	2-5/8	16-1/2	16	1-1/4	1-1/4	48
V/VN-139 (L)	34-3/4	6-7/8	18-3/8	2-1/8	3	19-1/2	19	1-1/2	1	70
V/VN-161 (L)	34-3/4	8-3/8	18-3/8	2-1/8	3	19-1/2	19	1-1/2	1	80
V/VN-193 (L)	34-3/4	9-7/8	18-3/8	2-1/8	3	19-1/2	19	1-1/2	1	86
V/VN-212 (L)	34-3/4	12-7/8	18-3/8	2-1/2	3	19-1/2	19	2	1-1/4	94
V/VN-247 (L)	34-3/4	12-7/8	18-3/8	2-1/2	3	21-1/2	21	2	1-1/4	108
V/VN-279 (L)	34-3/4	14-3/4	18-3/8	2-1/2	3	21-1/2	21	2	1-1/4	112
V/VN-333 (L)	43-1/4	14-1/2	24	2-7/8	3-1/8	22-1/2	22	2-1/2	1-1/2	166
V/VN-385 (L)	43-1/4	14-1/2	24	2-7/8	3-1/2	27-1/2	27	2-1/2	1-1/2	168
V/VN-500 (L)	43-1/4	19	24	2-7/8	3-1/2	27-1/2	27	2-1/2	1-1/2	360
V/VN-610 (L)	51-1/2	19-1/8	24	—	3-3/4	30-1/2	30	2-1/2	1-1/2	450
V-952 (L)	53-3/4	21-1/4	30	—	3-1/2	31	30	3	3	487

① Suffix "L" indicates low outlet temperature model, V model has copper tubes, VN model has cupro/nickel tubes.

Models V/VN Motor Ampere Rating

Ratings shown are the same for the Standard and Low Outlet Temperature models

Model Number	Motor HP	Motor Type and (Power Code)							
		115/60/1	230/60/1	200/60/3	230/460/60/3	115/60/1	230/460/60/3	575/60/3	575/60/3
		Totally Enclosed w/Thermal Overload (01)	Totally Enclosed w/Thermal Overload (02)	Totally Enclosed (04)	Totally Enclosed (05)	Explosion Proof w/Thermal Overload (06)	Explosion Proof w/Thermal Overload (09)	Totally Enclosed (10)	Explosion Proof w/Thermal Overload (11)
V/VN-42	1/30	1.9	1.28	1.9	2.1/1.05	4.1	—	0.84	—
V/VN-59	1/30	1.9	1.28	1.9	2.1/1.05	4.1	—	0.84	—
V/VN-78	1/15	2.4	1.28	1.9	2.1/1.05	4.1	—	0.84	—
V/VN-95	1/15	2.4	1.28	1.9	2.1/1.05	4.1	—	0.84	—
V/VN-139	1/5	2.8	1.5	1.9	2.1/1.05	4.1	1.5/7.5	0.84	—
V/VN-161	1/3	5.4	2.23	1.9	2.1/1.05	6.1	1.5/7.5	0.84	—
V/VN-193	1/3	5.4	2.23	1.9	2.1/1.05	6.1	1.5/7.5	0.84	—
V/VN-212	1/3	5.4	2.23	1.9	2.1/1.05	6.1	1.5/7.5	0.84	—
V/VN-247	1/2	7.5	3.5	2.6	3.0/1.5	5.8	2.0/1.0	0.92	0.76
V/VN-279	1/2	7.5	3.5	2.6	3.0/1.5	5.8	2.0/1.0	0.92	0.76
V/VN-333	3/4	8.8	4.4	3.7	3.5/1.8	—	—	1.24	—
V/VN-385	1	—	—	4.0	4.0/2.0	—	3.5/1.75	1.6	1.4
V/VN-500	1-1/2	—	—	5.8	5.2/2.6	—	5.8/2.9	2	2.32
V/VN-610	1-1/2	—	—	5.8	5.2/2.6	—	5.8/2.9	2	2.32
V-952	2	—	—	—	6.8/3.4	—	6.2/3.1	—	—

Specifications

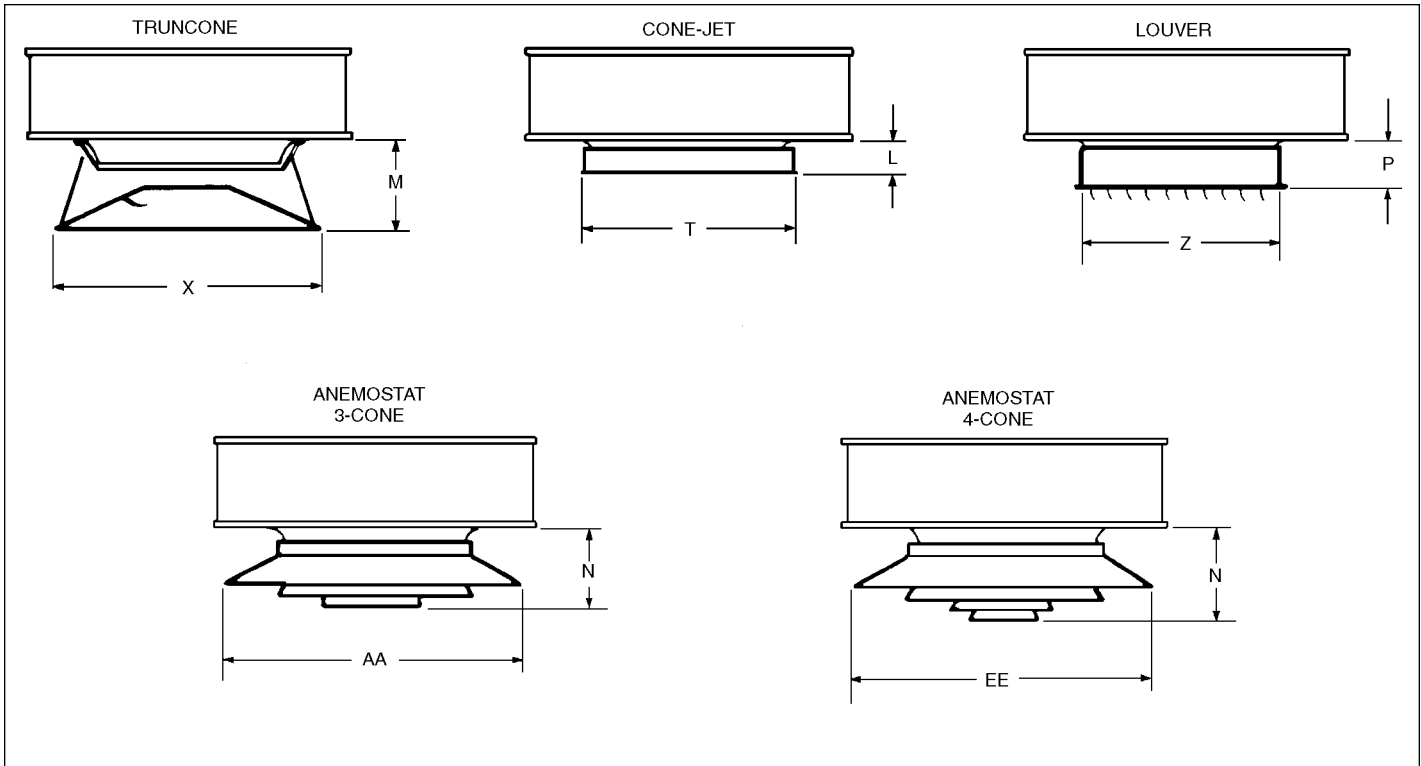
Copper/Cupro-Nickel Tube Size	5/8" O.D.	
Tube Wall Thickness	0.028"	
Aluminum Fins	0.010"	
Maximum Coil Rating	Copper	150 PSI/375°F
	Cupro-Nickel	250 PSI/400°F

Junction Box

All units include an electrical junction box either integral to the motor or attached to the unit casing. Explosion proof units include an explosion proof junction box attached to the motor.

1-452.9 SUBMITTAL DATA

Dimensions - Optional Air Deflectors



Model Number	Cone-Jet		Turncone		Louvers		3-Cone Anemostat		4-Cone Anemostat	
	L	T	M	X	P	Z	N	AA	N	EE
V-42	6-1/2	18-7/8	12	22	6-1/2	16-7/8	10-1/4	21-1/8	10-1/4	24-5/8
V-59	6-1/2	18-7/8	12	22	6-1/2	16-7/8	10-1/4	21-1/8	10-1/4	24-5/8
V-78	6-1/2	18-7/8	12	22	6-1/2	16-7/8	13	25-5/16	13	30-3/8
V-95	6-1/2	18-7/8	12	22	6-1/2	16-7/8	13	25-5/16	13	30-3/8
V-139	7-1/2	24-3/4	13	27	7-1/2	19-3/4	11-1/4	29-9/16	11-1/4	36-1/8
V-161	7-1/2	24-3/4	13	27	7-1/2	19-3/4	11-1/4	29-9/16	11-1/4	36-1/8
V-193	7-1/2	24-3/4	13	27	7-1/2	19-3/4	11-1/4	29-9/16	11-1/4	36-1/8
V-212	7-1/2	24-3/4	13	27	7-1/2	19-3/4	11-1/4	29-9/16	11-1/4	36-1/8
V-247	8	26-7/8	16	34	8	22-3/4	12-3/4	33-3/4	12-3/4	42-3/4
V-279	8	26-7/8	16	34	8	22-3/4	12-3/4	33-3/4	12-3/4	42-3/4
V-333	8-1/2	28	16	34	8-1/2	22-3/4	12	33-3/4	12	42-3/4
V-385	10	33-3/4	21	41	10	27-3/4	14	42-3/16	14	48-1/2
V-500	10	33-3/4	21	41	10	27-3/4	14	42-3/16	14	48-1/2
V-610	10-1/2	36-3/4	21	41	10-1/2	30-3/4	—	—	—	—
V-952	—	—	22	26	19-1/2	32	—	—	—	—