

SUBMITTAL DATA convector model SL

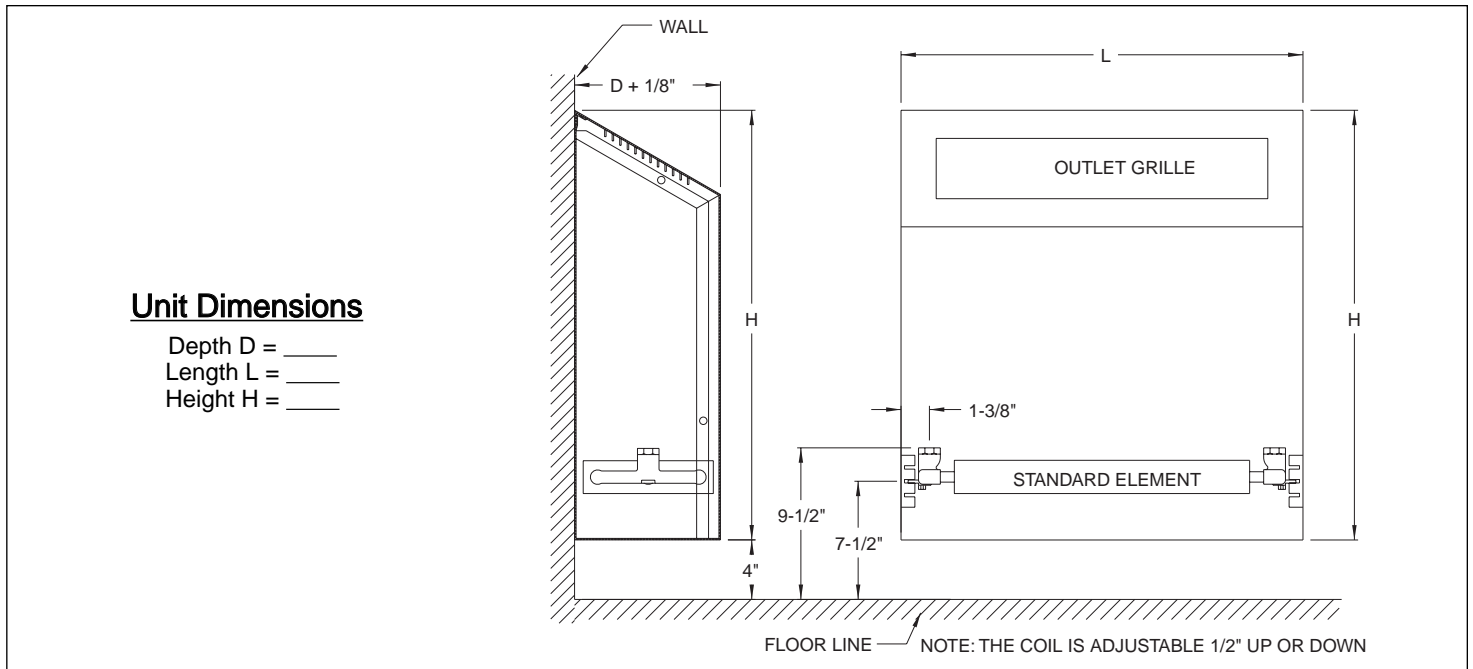
Model SL Slope-Top Wall Mounted

Job Name and Location _____ Date _____

Architect _____ Engineer _____ Sheet _____ of _____

Contractor _____ Order No. _____

Submitted by _____



Heating Element

Copper tube mechanically fastened to 0.010" aluminum fins.
 Element to have a nominal depth of:
 4" w/ 2 tubes 6" w/ 3 tubes 6" w/ 4 tubes

Standard cast brass headers with top and bottom connections
 Optional reverse header connections

Enclosure Specifications

- Dimensions specified above
 Enclosure metal gauge:
- | | |
|--|---|
| <input type="checkbox"/> 20 ga. liner, 18 ga. front (Standard) | <input type="checkbox"/> 20 ga. liner, 14 ga. front |
| <input type="checkbox"/> 18 ga. liner, 18 ga. front | <input type="checkbox"/> 18 ga. liner, 14 ga. front |
| <input type="checkbox"/> 20 ga. liner, 16 ga. front | <input type="checkbox"/> 16 ga. liner, 14 ga. front |
| <input type="checkbox"/> 18 ga. liner, 16 ga. front | <input type="checkbox"/> 14 ga. liner, 14 ga. front |
| <input type="checkbox"/> 16 ga. liner, 16 ga. front | |

- Enclosure Color (see Color Chart):
- | | | | |
|---|--------------------------------|------------------------------------|-------------------------------|
| <input type="checkbox"/> Prime (Standard) | <input type="checkbox"/> Ivory | <input type="checkbox"/> Bronze | <input type="checkbox"/> Gray |
| <input type="checkbox"/> Beige | <input type="checkbox"/> White | <input type="checkbox"/> Dark Gray | |

Performance

Steam
Pressure: _____ psi
Entering Air Temp: _____ °F
Rating: _____ Btu/Hr

Hot Water
Avg. Water Temp.: _____ °F
Water Flow Rate: _____ GPM
Entering Air Temp: _____ °F
Rating: _____ Btu/Hr

Options

- Dampers**
- | | |
|--|---|
| <input type="checkbox"/> None (Standard) | <input type="checkbox"/> Security Allen Key |
| <input type="checkbox"/> Standard Knob | |
- Grill**
- | | |
|--|--|
| <input type="checkbox"/> Louvered (Standard) | <input type="checkbox"/> Bar Grill - Aluminum (Inlet/Outlet) |
| <input type="checkbox"/> Perforated (Inlet/Outlet) | |
- Fasteners**
- | | |
|--|----------------------------------|
| <input type="checkbox"/> Phillips (Standard) | <input type="checkbox"/> Spanner |
|--|----------------------------------|
- End Pockets**
- | | | |
|------------------------------------|-------------------------------------|--|
| <input type="checkbox"/> Left Hand | <input type="checkbox"/> Right Hand | <input type="checkbox"/> Left & Right Hand |
|------------------------------------|-------------------------------------|--|
- Insulation**
- | | | |
|-------------------------------|-------------------------------|---|
| <input type="checkbox"/> None | <input type="checkbox"/> Back | <input type="checkbox"/> Sides, Back, & Top |
|-------------------------------|-------------------------------|---|

Other: _____

13-410

Model SL Slope-Top Wall Mounted

Access Doors

- Available in any of the standard numbered locations illustrated.
- Doors are 6" high x 6" wide for convectors with a height of 20" or greater. 4" high x 5" wide for convectors with a height less than 20".
- Hinged on the top of the convector with a piano type hinge.
- Located in end pockets on convectors with end pockets.
- Fasten with cam-type locking device.

Access Doors Location

- 1 2

Access Door Hardware

- Slot Head (Standard)
 Security Allen Key Latch
 Security Spanner Head Latch

Access Door Availability

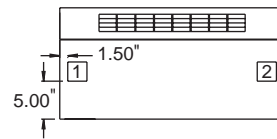
LENGTH
20" or longer

HEIGHT
14" or greater

ALL DEPTHS



Slope-Top Wall Mounted



Door Location Dimensions