

VENT CAP INSTALLATION & SUBMITTAL DATA

gas-fired weatherproof duct furnace/make-up air units models HFG & OFG

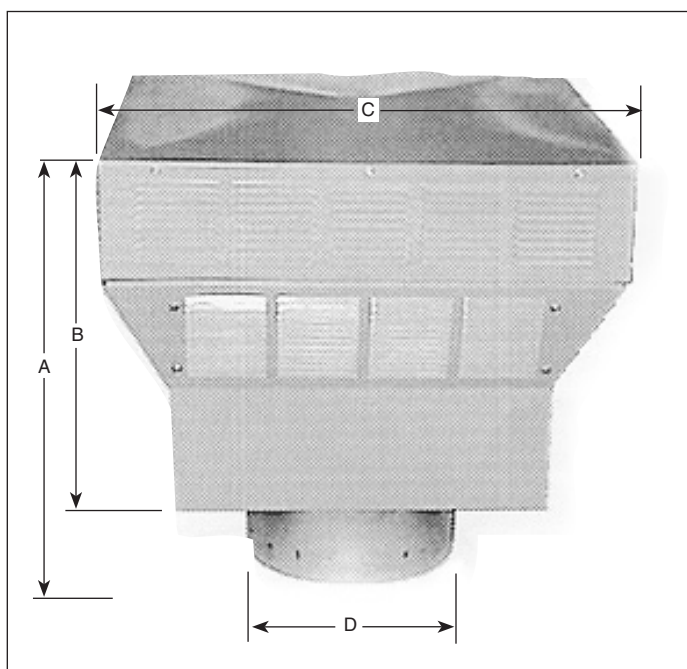
IMPORTANT

The use of this manual is specifically intended for a qualified installation and service agency. All installation and service of these units must be performed by a qualified installation and service agency. Modine manuals may contain excerpts from component supplier literature adapted for Modine products. Any accompanying component supplier literature is for general information.

Table 1.1
Vent Cap Dimensions (all dimensions in inches)

Model Size	A	B	C (All Sides)	D (Vent Sizes)
75/100/125/150/175/200/225	18.77	14.20	19.22	8.62
250/300	19.75	15.18	21.31	10.62
350/400	22.95	18.38	24.64	12.62

Figure 1.1
Vent Cap Dimensions



Installation Instructions

1. Inspect vent cap and check dimensions to be sure correct vent cap is being installed, based on weatherproof duct furnace Model Size (See Table 1.1).
2. Remove the access door of the unit.
3. Place vent cap over the square opening on the roof panel and slide the cap vent pipe over the vent collar in the top of the collector box. The bottom of the vent cap will not be touching the roof (See Figure 1.2).
4. With the vent cap in proper position, align the four clearance holes in the vent pipe with the bite holes in the duct furnace vent collar.
5. Using the four #10 x 1/2" sheet metal screws provided in the envelope assembly, securely fasten the vent cap to the duct furnace collector box collar.

Figure 1.2
Vent Cap Installation

