

INSTALLATION & SUBMITTAL DATA

summer/winter switch

gas-fired duct furnace/make-up air units

model series: “D”, “H”, “I”, & “O”

⚠ WARNING

1. Disconnect power supply before making wiring connections to prevent electrical shock and equipment damage.
2. All units must be wired strictly in accordance with wiring diagram furnished with the unit. Any wiring different from the wiring diagram could result in a hazard to persons and property.
3. All wiring must be done with a wiring material having a temperature rating of at least 105°C.

IMPORTANT

The use of this manual is specifically intended for a qualified installation and service agency. All installation and service of these units must be performed by a qualified installation and service agency. Modine manuals may contain excerpts from component supplier literature adapted for Modine products. Any accompanying component supplier literature is for general information.

Application

To allow a choice of fan operation of the duct furnace/make-up air unit, the summer/winter toggle switch kit is available for field installation. In the summer position, the fan runs continuously for ventilation and the heating circuit is disabled. In the winter position for single-stage and two-stage gas control units, the thermostat will cycle the fan and the heating circuit. In the winter position for mechanical modulating and electronic modulating gas control units, the fan runs continuously for ventilation and the thermostat will cycle the heating circuit.

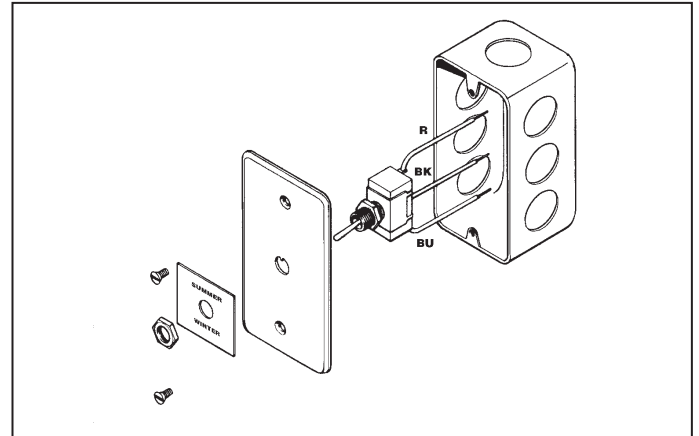
Components of kit:

- Wire Nuts (4)
- NEMA 1 Conduit box (1)
- Toggle switch (1)
- Switch plate cover (1)
- Label, Summer/Winter positions (1)

Toggle Switch:

Rating: 15 amps at 125 volts, 10 amps at 250 volts, or up to 3/4 hp at 125-250 volts.

Figure 1.1
Summer/Winter Switch Assembly - Exploded View

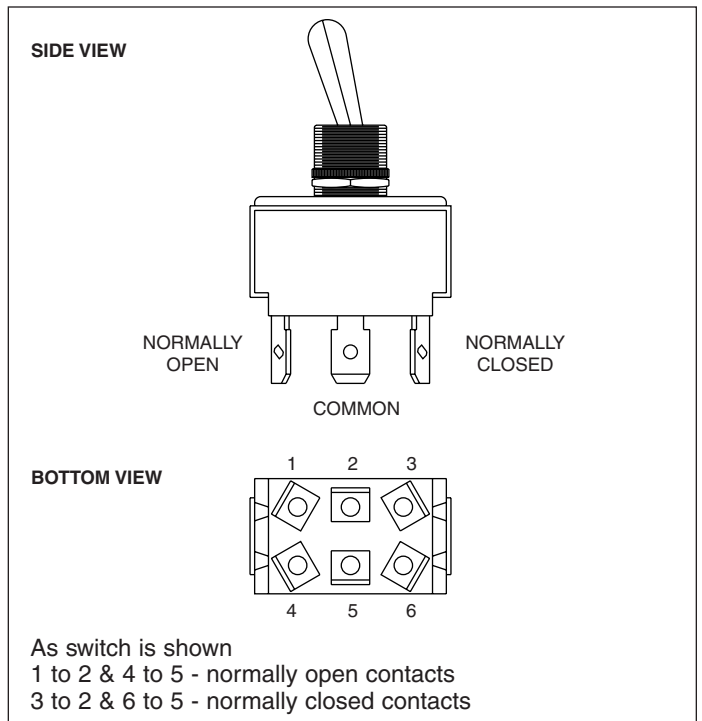


Wiring

Installation of wiring must conform with local building codes, or in the absence of local codes, of the National Electric Code (NEC) NFPA 70 - Latest Edition. Unit must be electrically grounded in conformance to this code. In Canada, wiring must comply with CSA C22.1, Part 1, Electrical Code.

Figure 1.2
Toggle Switch Wiring

For the purposes of the wiring diagram, the number 1 through 6 are indicated below. The actual switch does not include the numbers.



Wiring Diagram Selection

- For duct furnaces (non-factory supplied blower) refer to the following figures for wiring.
- For system units (factory supplied blower) refer to the job specific unit wiring diagram provided with the unit.
- For deviations to these wiring diagrams or the job specific wiring diagrams: consult the factory.

Figure 2.1
Single-Stage and Two-Stage Gas Control Units

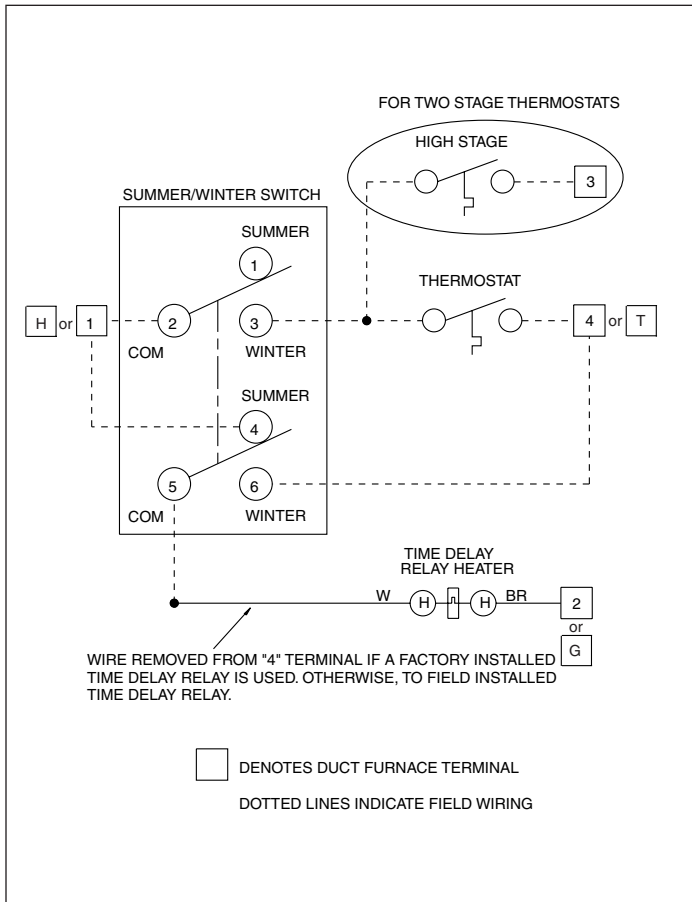


Figure 2.2
Mechanical Modulating and Electronic Modulating Gas Control Units

