

INSTALLATION & SUBMITTAL DATA

rainhood & birdscreen assembly

gas-fired weatherproof duct furnace/make-up air units

model series "H" & "O"

IMPORTANT

Disconnect power supply before installing the Rainhood & Birdscreen assembly to prevent the unit from operating during installation.

Application

The Rainhood & Birdscreen assembly is designed to prevent water and debris from entering the fresh air opening of the unit. The Rainhood & Birdscreen assembly is shipped fully assembled in a separate carton for field installation to prevent shipping damage.

Recommendations

- To avoid damage to the Rainhood & Birdscreen assembly when lifting the unit, install the assembly after the unit is installed on the roof.
- To prevent water entrainment, allow a minimum of 12" clearance from the bottom of the Rainhood & Birdscreen assembly to the roof or slab. Also, install the assembly so that it is not facing into the prevailing wind.

Installation Instructions

1. Inspect Rainhood & Birdscreen assembly and check dimensions to be sure the correct assembly is being installed. See Figure 1.1 and Table 1.1 for dimensions.
2. Remove the roof screws that fasten the roof to the back panel of the unit (See Figure 1.2)
3. Slide the top flange of the rainhood & birdscreen between the roof and the back panel. Using the pre-drilled holes in the top flange of the rainhood & birdscreen as guides, align the holes of the roof, the rainhood, and the rear panel and replace the screws that were removed in step 2.
4. The pre-drilled holes in the side flanges of the rainhood should align with the dimple marks in the back panel of the unit. Using the thread cutting screws provided, fasten the side flanges of the rainhood to the back panel of the unit. (If necessary, drill 1/8" diameter bite holes in the dimple locations of the back panel before installing the thread cutting screws.

Figure 1.1
Rainhood & Birdscreen Dimensions
(All dimensions in inches)

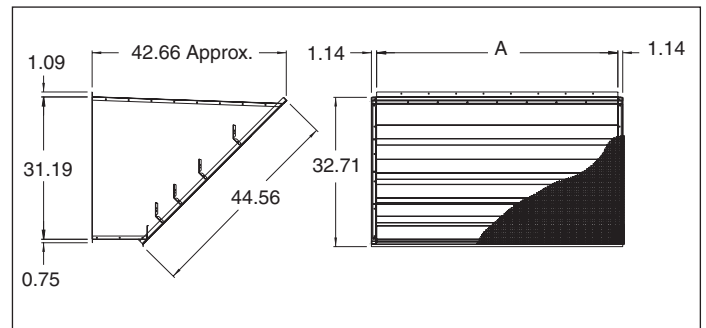


Table 1.1
Rainhood & Birdscreen Dimensions
(All dimensions in inches)

Figure 1.2
Rainhood & Birdscreen Assembly Installation

Model Size	A	Approx. Weight (lbs)
75	29.43	65
100/125	31.94	67
150/175/200/225	38.24	72
250/300	41.34	83
350/400	52.85	90

