



# HEAT EXCHANGER REPLACEMENT INSTRUCTIONS

models HD/HDB, HDS/HDC, PTS/BTS



## WARNING

1. Improper installation, adjustment, alteration, service or maintenance can cause property damage, injury or death, and could cause exposure to substances which have been determined by various state agencies to cause cancer, birth defects, or other reproductive harm. Read the installation, operating, and maintenance instructions thoroughly before installing or servicing this equipment.
2. The Installation and Maintenance instructions in the appliance manual as well as the following supplemental information must be followed to provide safe, efficient and trouble-free operation. In addition, particular care must be exercised regarding the special precautions listed on page 2 of Installation and Service Manual for the appliance. Failure to properly address these critical areas could result in property damage or loss, personal injury, or death. These instructions are subject to any more restrictive local or national codes.
3. All units must be wired strictly in accordance with the wiring diagram furnished with the unit. Any wiring different from the wiring diagram could result in a hazard to persons and property.
4. All wiring must be done with a wiring material having a temperature rating of at least 105°C.
5. Gas supply shall be shut-off and the electrical power disconnected before proceeding with the repair. Failure to do so could result in fire, explosion, electrical shock, or the unit starting suddenly resulting in injury.

## IMPORTANT

1. The use of this manual is specifically intended for a qualified installation and service agency. All installation and service of these kits must be performed by a qualified installation and service agency.
2. These instructions must also be used in conjunction with the Installation and Service manual originally shipped with the appliance, in addition to any other accompanying component supplier literature.

## HEAT EXCHANGER REPLACEMENT INSTRUCTIONS

### Disassembly

1. Shut off power and gas supply to the unit heater.
2. Disconnect electric, venting, and gas and remove unit heater.
3. Disassemble the unit heater and remove heat exchanger assembly from the unit heater.
4. Remove and retain components from heat exchanger header including burner box, limit switches, collector box/power exhaust assembly.

### Replacement Of Heat Exchanger

5. Re-install the components that were removed from the old heat exchanger.
6. Use new gaskets for the collector box to header joint and the power exhauster to collector joint.
7. Place foam seal around heat exchanger header flanges to seal heat exchanger to casing if a seal is required for your model. Note that all seals & caulk joints which have been disturbed have to be replaced to ensure proper operation.
8. Assemble remainder of the unit heater.
9. Mount the unit heater per Applicable Installation & Service Manual (see Table 1.1 below).
10. Reconnect gas, electric, and venting per Applicable Installation & Service Manual.
11. Perform proper start-up procedure per Installation & Service Manual and verify that the unit heater is operating correctly.

Table 1.1  
Applicable Installation and Service (I&S) Manual

Model	HD/HDB	HDS/HDC	PTS/BTS
I&S	6-583	6-584	6-561

## TABLE OF CONTENTS

Instructions – Heat Exchanger Replacement .....1  
 Instructions – Representative Unit Diagrams.....2

THIS MANUAL IS THE PROPERTY OF THE OWNER.  
PLEASE BE SURE TO LEAVE IT WITH THE OWNER WHEN YOU LEAVE THE JOB.

# HEAT EXCHANGER REPLACEMENT INSTRUCTIONS

Figure 2.1  
Exploded View (HDS 30-75)

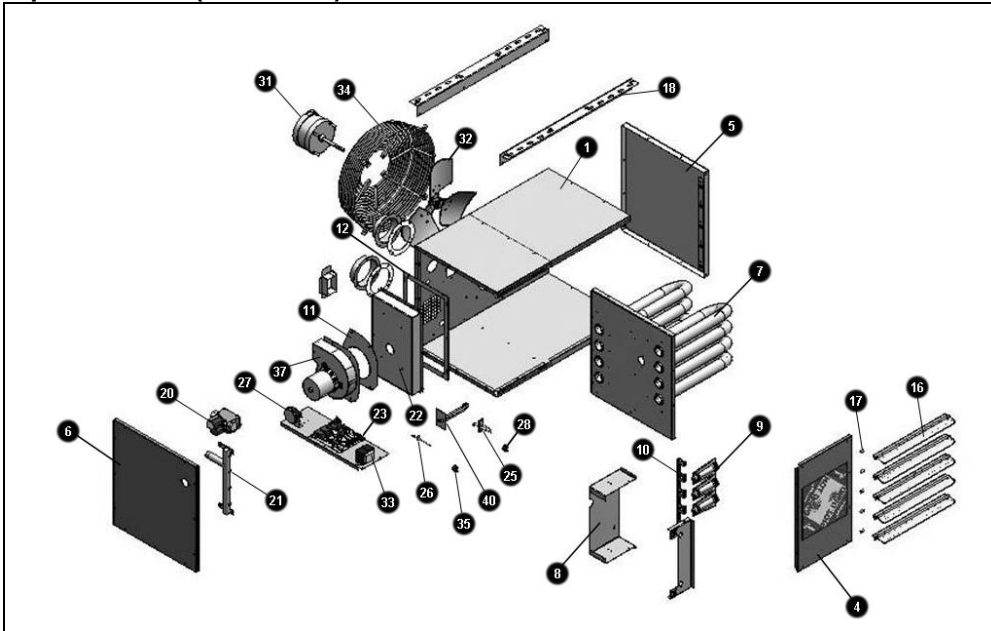
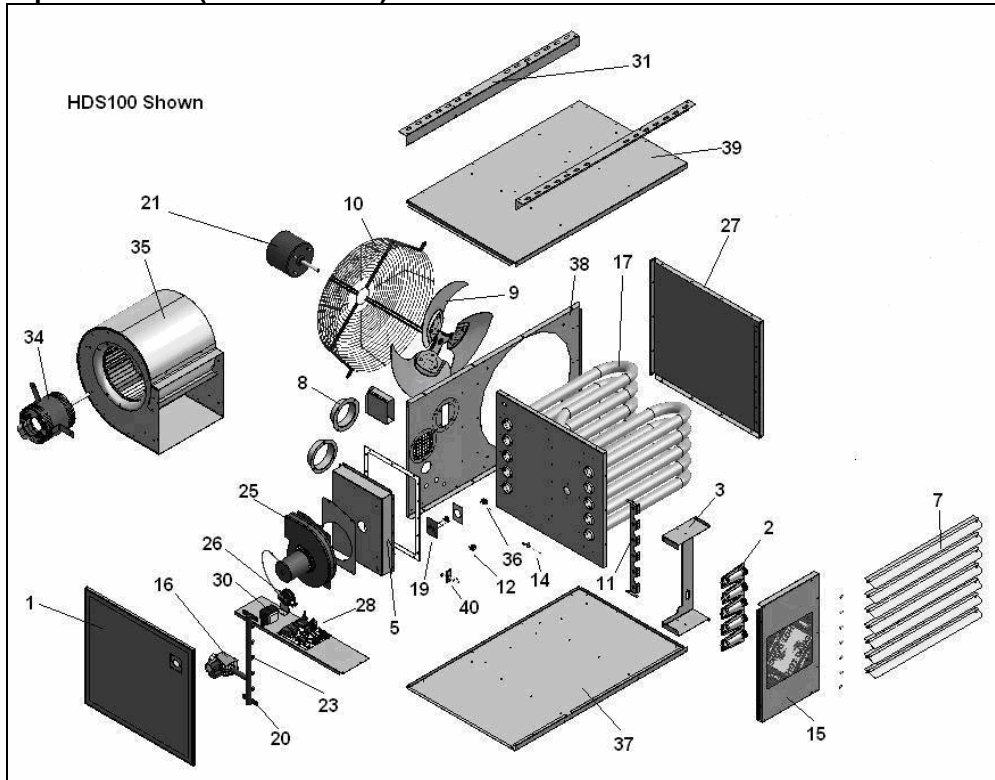


Figure 2.2  
Exploded View (HDS/HDC 100)



Modine Manufacturing Company has a continuous product improvement program, and therefore reserves the right to change design and specifications without notice.