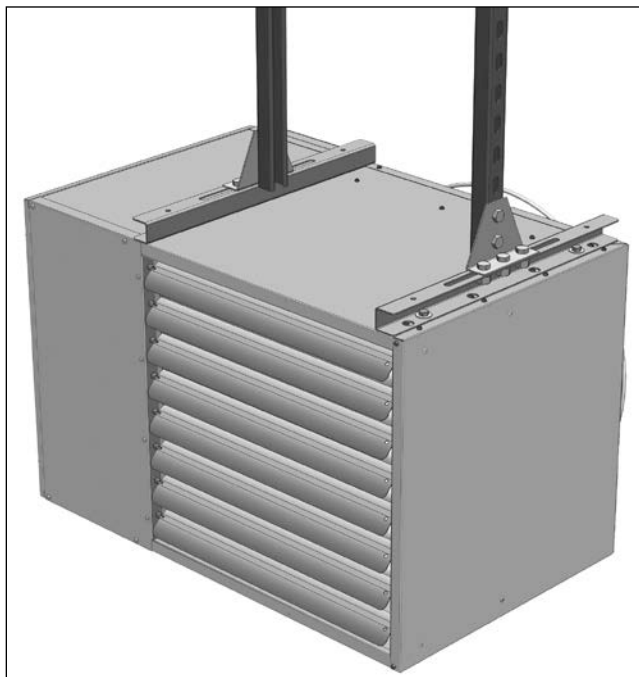


INSTALLATION INSTRUCTIONS

two-point mounting kit

models HD/HDS (100 & 125 only), PTC, PTS, PTP, PDP (350 &400)

Two-Point Mounted Unit Heater



2-POINT MOUNTING KIT

Model Application

On occasion, building structures may not easily accommodate the standard four-point unit suspension on HD/HDS (100 & 125 only), PTC (85-310 only), PTS, PTP, PDP (350 &400) models. For those cases, Modine offers a two-point mounting conversion kit, which can be used to convert the unit to two-point suspension. The conversion kit includes two heavy gauge "C" channel brackets and two angle brackets, along with required fasteners to attach the brackets to the heater.

To ensure adequate suspension of the unit is achieved, follow these instructions in detail. For complete unit installation instructions, please refer to the latest revision of the Installation & Service Manual that shipped with the unit. These are summarized in Table 1.1.

Figure 2.2 – Angle Bracket Installation

Model	Installation & Service Manual
HD 100 & 125	6-583 ①
HDS 100 & 125	6-584 ①
PTC (85–310)	6-563 ①
PTS,	6-561 ①
PDP 350 & 400	6-580 ①
PTP	6-560 ①

① As shipped with the unit, or latest revision.



WARNING

Gas supply shall be shut-off and the electrical power disconnected before proceeding with the conversion. Failure to do so could result in fire, explosion, electrical shock, or the unit starting suddenly resulting in injury.

IMPORTANT

1. The use of this manual is specifically intended for a qualified installation and service agency. All installation and service of these kits must be performed by a qualified installation and service agency.
2. These instructions must also be used in conjunction with the Installation and Service (I&S) Manual originally shipped with the appliance being converted, in addition to any other accompanying component supplier literature.

Detailed instructions for the assembly/installation of the two-point mounting kit are on the reverse side of this sheet.

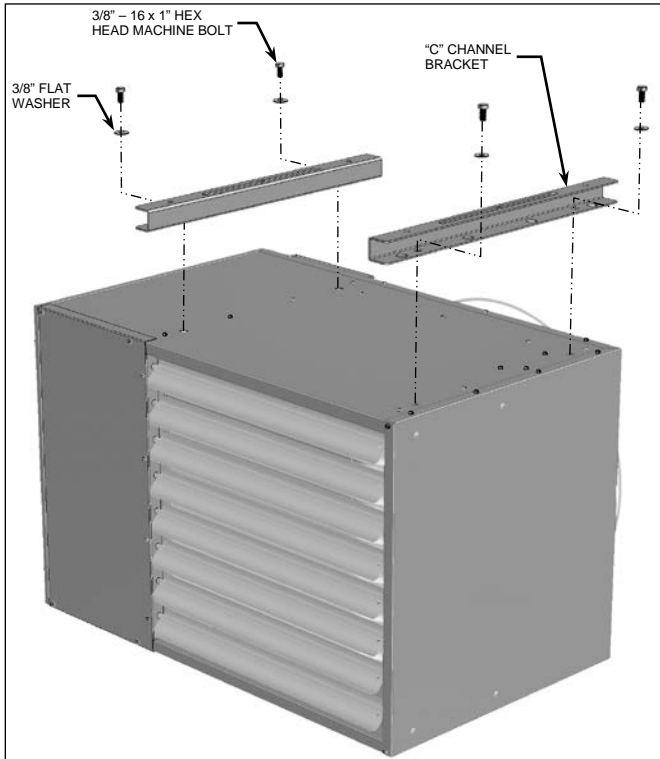
INSTALLATION – 2-POINT MOUNTING KIT ACCESSORY

Assembly/Installation

The recommended procedure for assembly and installation is described as follows (refer to Figures 2.1 and 2.3):

1. Attach both "C" Channel Brackets to the existing unit suspension holes using the hardware supplied with the mounting kit. Each bracket is attached using (2) 3/8"-16 x 1" hex head machine bolts and (2) 3/8" flat washers. Refer to Figure 2.1.

Figure 2.1 – "C" Bracket Installation



2. Attach one of the angle brackets to the top of each "C" channel. Each angle bracket is attached using (3) 1/2"-16 x 1-1/2" hex head machine bolts, (3) 1/2" flat washers, (3) 1/2" lock washers, and (3) 1/2"-16 nuts. Refer to Figure 2.2. Hand tighten the nuts to allow unit balancing in Step 4.
3. Ensure that the vertical supports (Unistrut P3000T or equivalent, by others) from which the unit will be suspended are plumb and rigidly supported. Raise the unit to its mounting position and align the angle brackets with the vertical supports as shown in Figure 2.3. Fasten the angle brackets to the vertical supports (fasteners are by others).
4. After securing the unit to the two vertical supports, ensure that the unit is level both front to back and side to side. The slotted mounting holes in the "C" channel allow the unit to be moved forward or backwards until it is level front to back. To level the unit side to side, ensure

the angle brackets are connected to the vertical supports at the same height. Once the unit is level, tighten the nuts from Step 2.

5. Continue with the gas, electric, and venting installation instructions listed in the I&S Manual that shipped with the unit. Be sure to follow all cautionary notes. Re-check that the unit is level and that nothing has shifted once the installation of the unit has been completed.

Figure 2.2 – Angle Bracket Installation

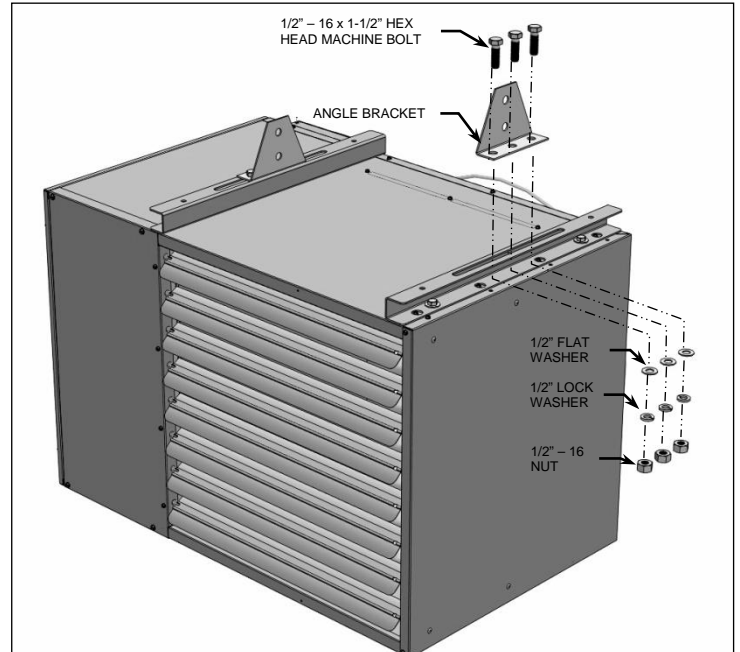
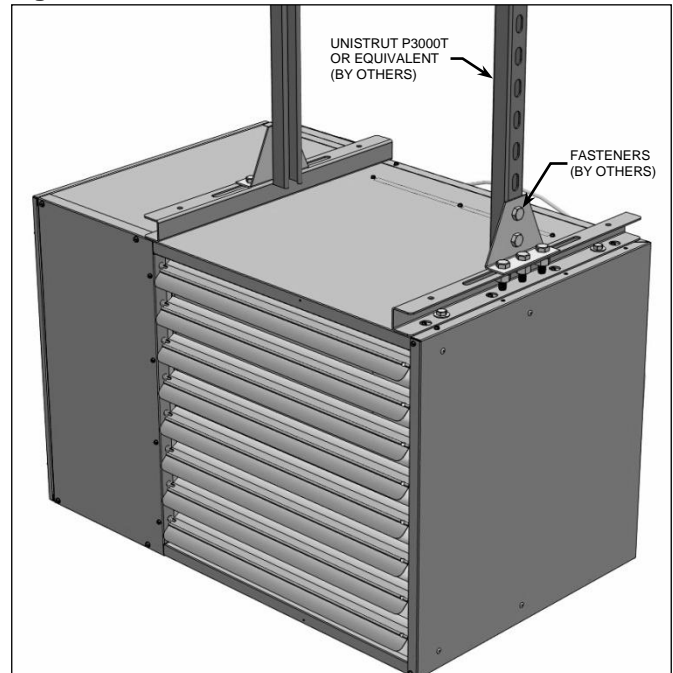


Figure 2.3 – Two-Point Mounted Unit Heater



Modine Manufacturing Company has a continuous product improvement program, and therefore reserves the right to change design and specifications without notice.